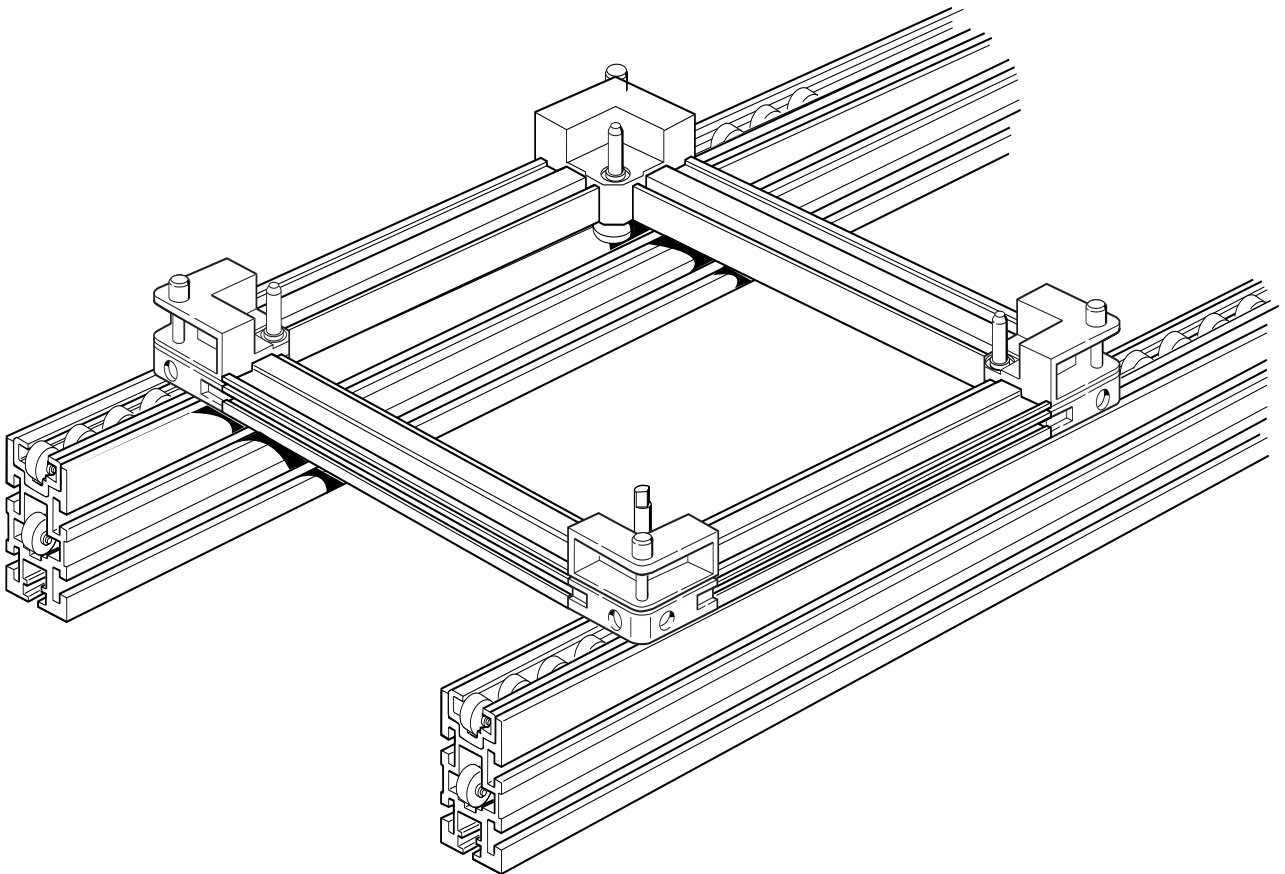


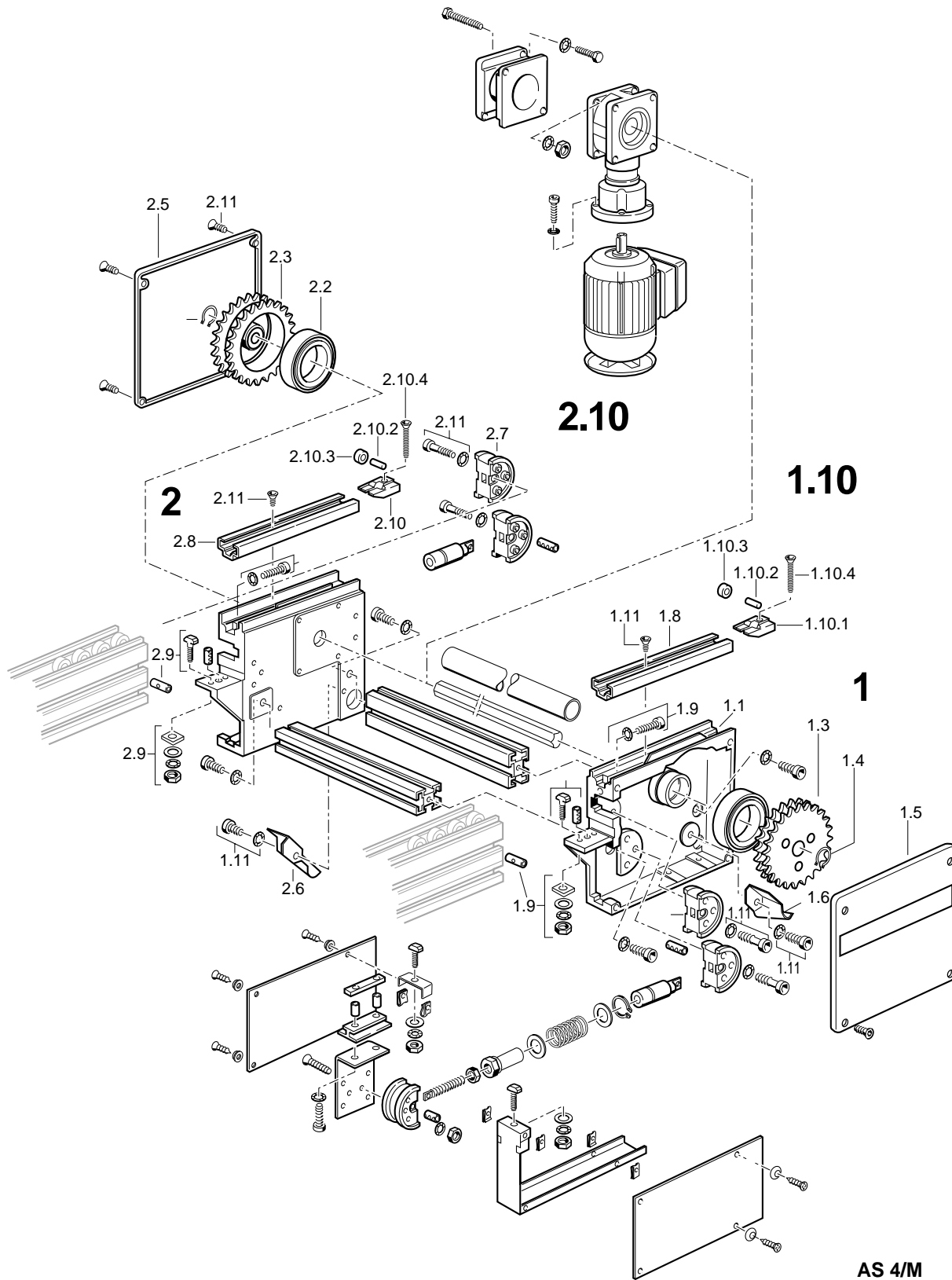
Service



TS 4 Drives and Returns

Spare Parts







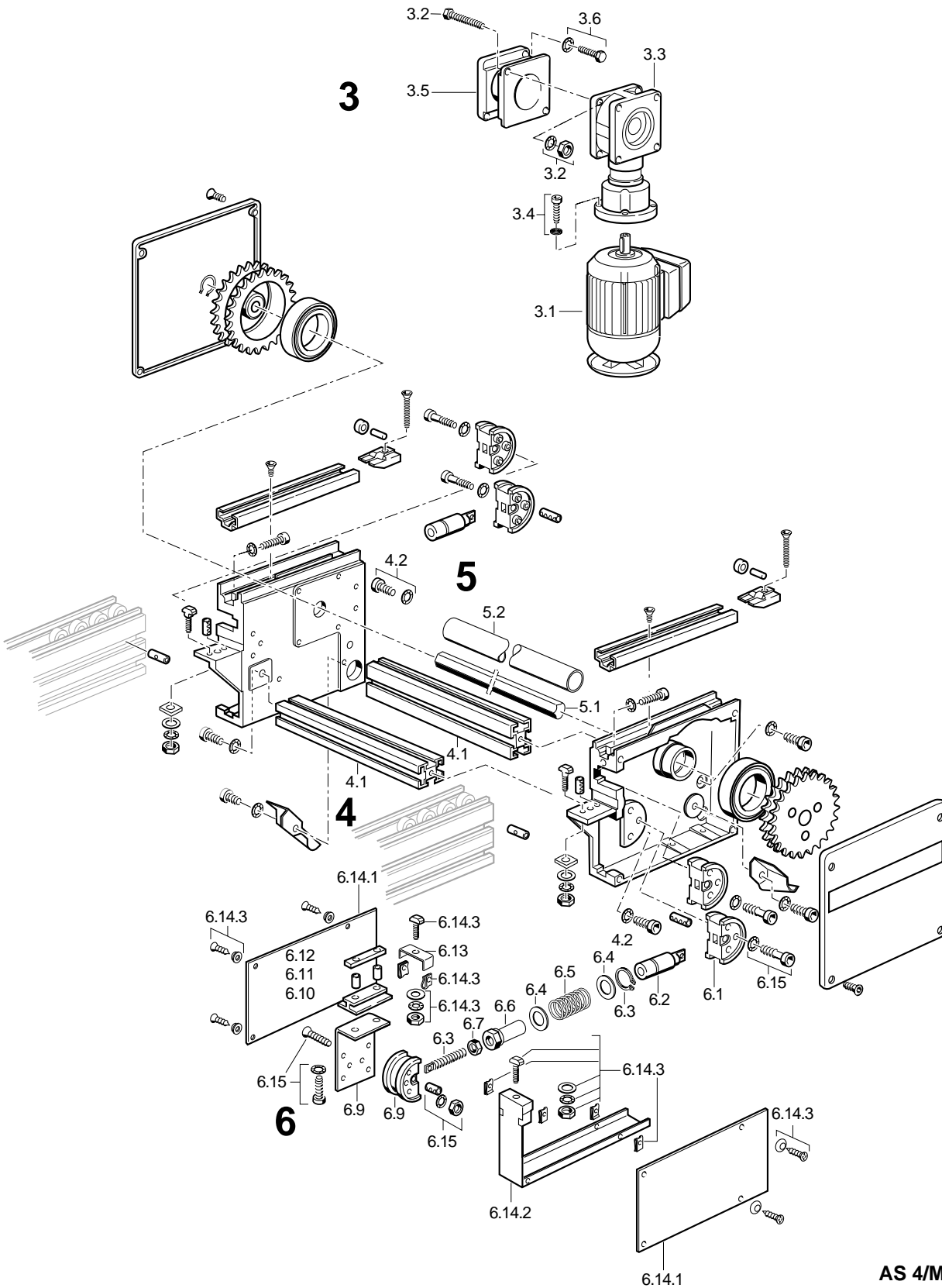
Customer Application Notes:

Ref. #	S	Description	Qty.	Part Number	Recommended Stocking Qty.	Price
1		Side part, right, complete	1			
1.1	S	Side part, right	1	3842 218 711		
1.2	S	Grooved ball bearing	1	1900 905 178		
1.3	S	Sprocket	1	3842 218 715		
1.4		Lock ring	1			
1.5		Cover	1			
1.6		Dirt channel, right	1			
1.7	S	Return block	1	3842 218 717		
1.8	S	Chain guide profile	1	3842 266 229		
1.9		AS 4 to ST 4 mounting kit	1			
1.10	S	Chain feed guard with roller	1	3842 338 249		
1.10.1		Chain feed guard	1			
1.10.2		Axle pin	1			
1.10.3		Roller	1			
1.10.4		Flat-head screw	1			
1.11		AS 4/M mounting kit	1			
2		Side part, left, complete	1			
2.1	S	Side part, left	1	3842 218 712		
2.2	S	Grooved ball bearing	1	1900 905 178		
2.3	S	Sprocket	1	3842 218 715		
2.4		Lock ring	1			
2.5		Cover	1			
2.6		Dirt channel, left	1			
2.7	S	Return block	1	3842 218 717		
2.8	S	Chain guide profile	1	3842 266 229		
2.9		AS 4 to ST 4 mounting kit	1			
2.10	S	Chain feed guard with roller	1	3842 338 249		
2.10.1		Chain feed guard	1			
2.10.2		Axle pin	1			
2.10.3		Roller	1			
2.10.4		Flat-head screw	1			
2.11		AS 4/M mounting kit	1			





3 842 999 073 AS4/M Center-Mount Drive



AS 4/M



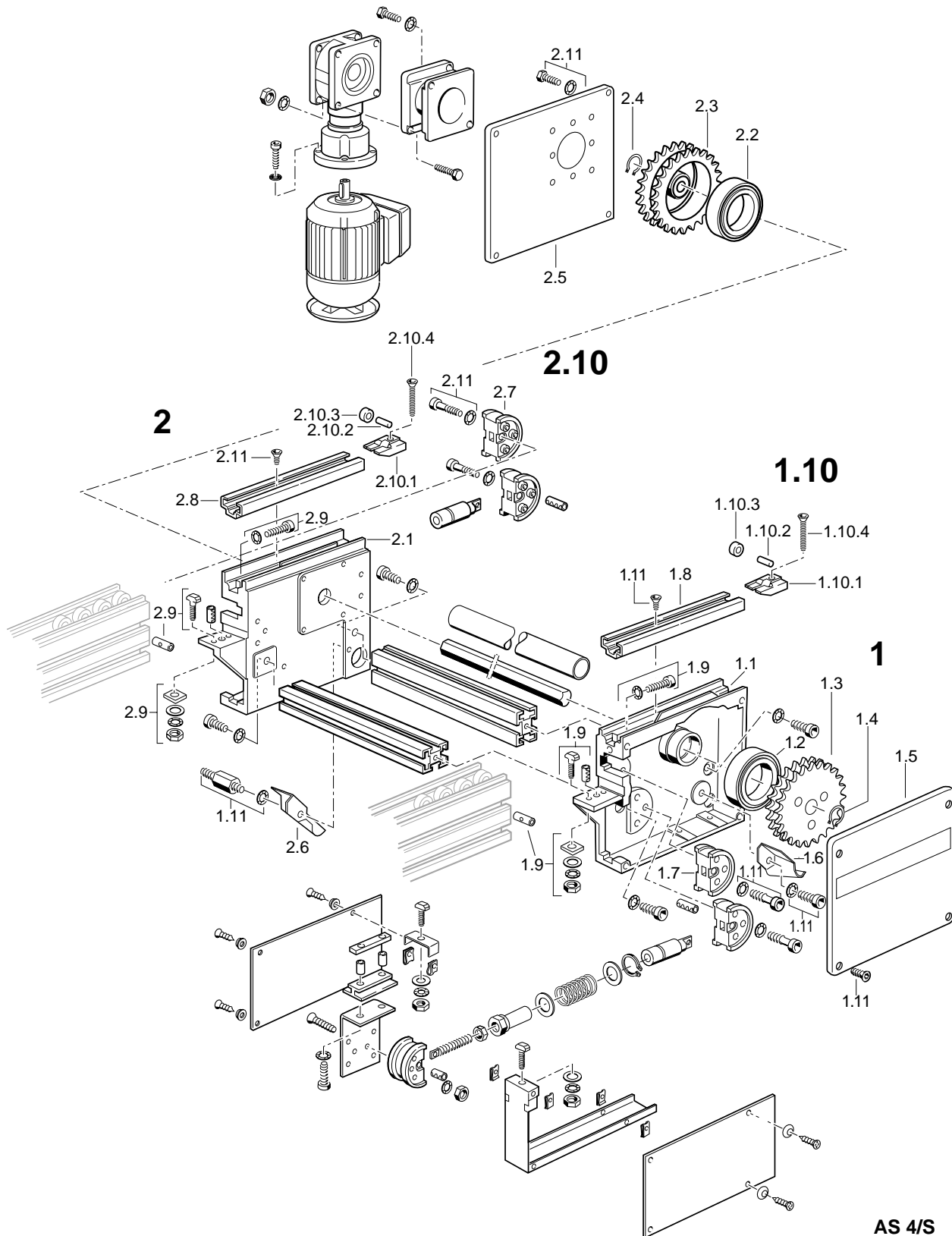


Customer Application Notes:

Ref. #	S	Description	Qty.	Part Number	Customer Application Notes:	
					Recommended Stocking Qty.	Price
3	S	Gearbox and motor	1			
3.1	S	Drive motor	1			
		220/480 V, v = 9 m/min		8981 003 700		
		220/480 V, v = 12 m/min		8981 003 701		
		575 V		8981 012 455		
3.2		Drive motor mounting kit	1			
3.3	S	Gearbox	1			
		v = 9 m/min		3842 519 119		
		v = 12 m/min		3842 519 118		
3.4		Gearbox mounting kit	1	incl. w/gearbox		
3.5		Flange	1			
3.6		Flange mounting kit	1			
4		Strut profile, complete	1			
4.1	S	Strut profile, length = ...mm*	2	3842 990 002		
4.2		Strut profile mounting kit	1			
5		Hex shaft, complete	1			
5.1	S	Hex shaft, length = ...mm*	1	3842 992 747		
5.2	S	Cover tube, length = ...mm*	1	3842 992 039		
6	S	Chain tensioner	2	3842 184 780		
6.1	S	Chain guide block	2	3842 218 717		
6.2		Shaft	1			
6.3		Retaining ring	1			
6.4		Pressure spring support washer	2			
6.5	S	Pressure spring	1	3842 500 106		
6.6		Threaded sleeve	1			
6.7		Hex nut	1			
6.8		Threaded shaft	1			
6.9		Angle bracket	1			
6.10	S	Guide rail	1	3842 218 720		
6.11		Roller spacers	2			
6.12		Upper guide	1			
6.13		Bracket	1			
6.14		Tensioner guard	1			
6.14.1		Cover	2			
6.14.2		Housing	1			
6.14.3		Tensioner guard mounting kit	1			
6.15		Chain tensioner mounting kit				
* Please include length and motor position when ordering.						

PRICES SUBJECT TO CHANGE WITHOUT FURTHER NOTICE.
ALL ORDERS AND PRICES SUBJECT TO ACCEPTANCE BY BOSCH.



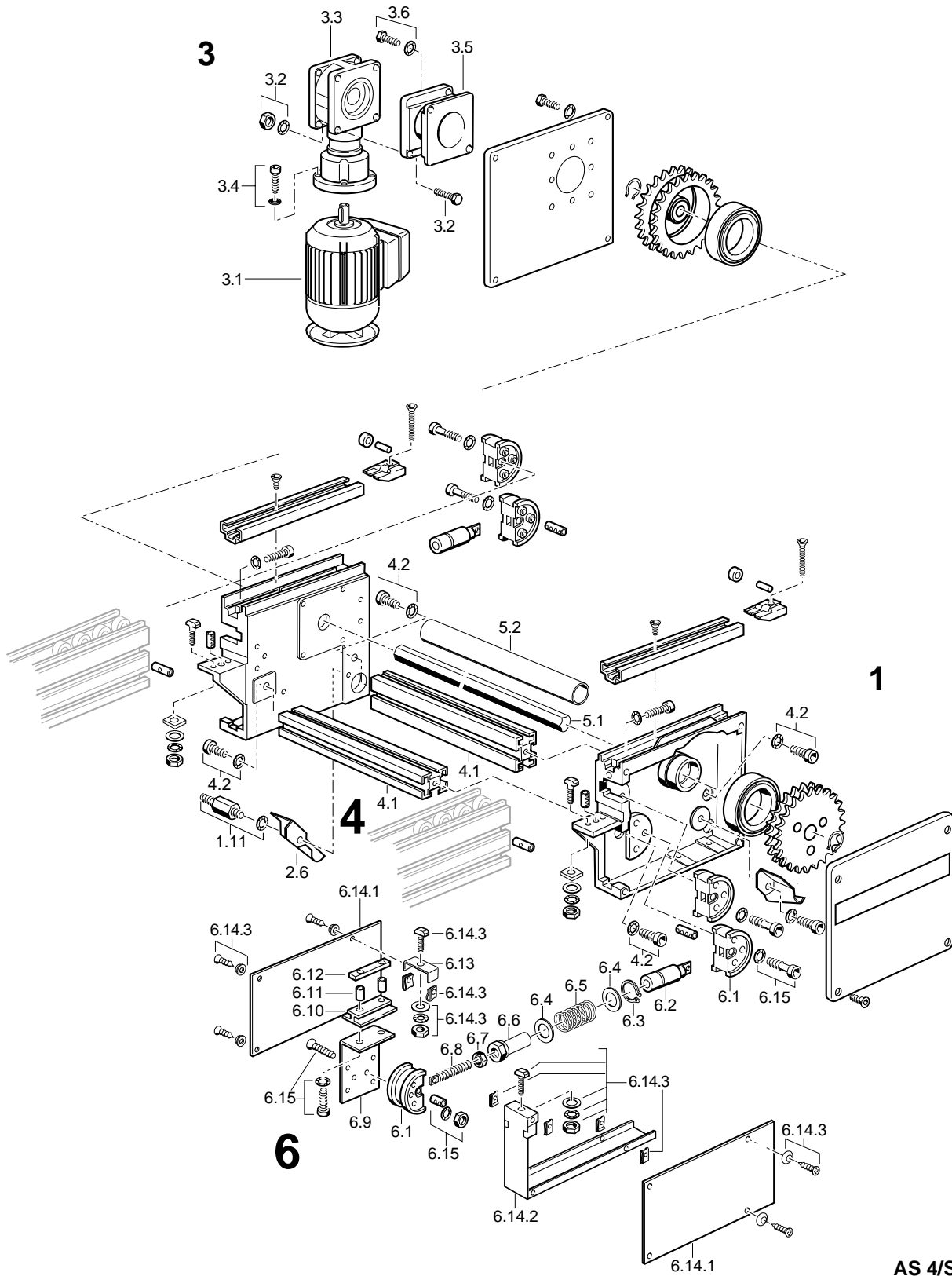




Customer Application Notes:

Ref. #	S	Description	Qty.	Part Number	Recommended Stocking Qty.	Price
1		Side part, right, complete	1			
1.1	S	Side part, right	1	3842 218 711		
1.2	S	Grooved ball bearing	1	1900 905 178		
1.3	S	Sprocket	1	3842 218 715		
1.4		Lock ring	1			
1.5		Cover				
		Cover (left mounted motor)	1			
		Plate (right mounted motor)*	1			
1.6		Dirt channel, right	1			
1.7	S	Return block	1	3842 218 717		
1.8	S	Chain guide profile	1	3842 266 229		
1.9		AS 4 to ST 4 mounting kit	1			
1.10	S	Chain feed guard with roller	1	3842 338 249		
1.10.1		Chain feed guard	1			
1.10.2		Axle pin	1			
1.10.3		Roller	1			
1.10.4		Flat-head screw	1			
1.11		AS 4/S mounting kit	1			
2		Side part, left, complete	1			
2.1	S	Side part, left	1	3842 218 712		
2.2	S	Grooved ball bearing	1	1900 905 178		
2.3	S	Sprocket	1	3842 218 715		
2.4		Lock ring	1			
2.5		Cover				
		Plate (left mounted motor)	1			
		Cover (right mounted motor)*	1			
2.6		Dirt channel, left	1			
2.7	S	Return block	1	3842 218 717		
2.8	S	Chain guide profile	1	3842 266 229		
2.9		AS 4 to ST 4 mounting kit	1			
2.10	S	Chain feed guard with roller	1	3842 338 249		
2.10.1		Chain feed guard	1			
2.10.2		Axle pin	1			
2.10.3		Roller	1			
2.10.4		Flat-head screw	1			
2.11		AS 4/S mounting kit	1			
* Not shown						





AS 4/S

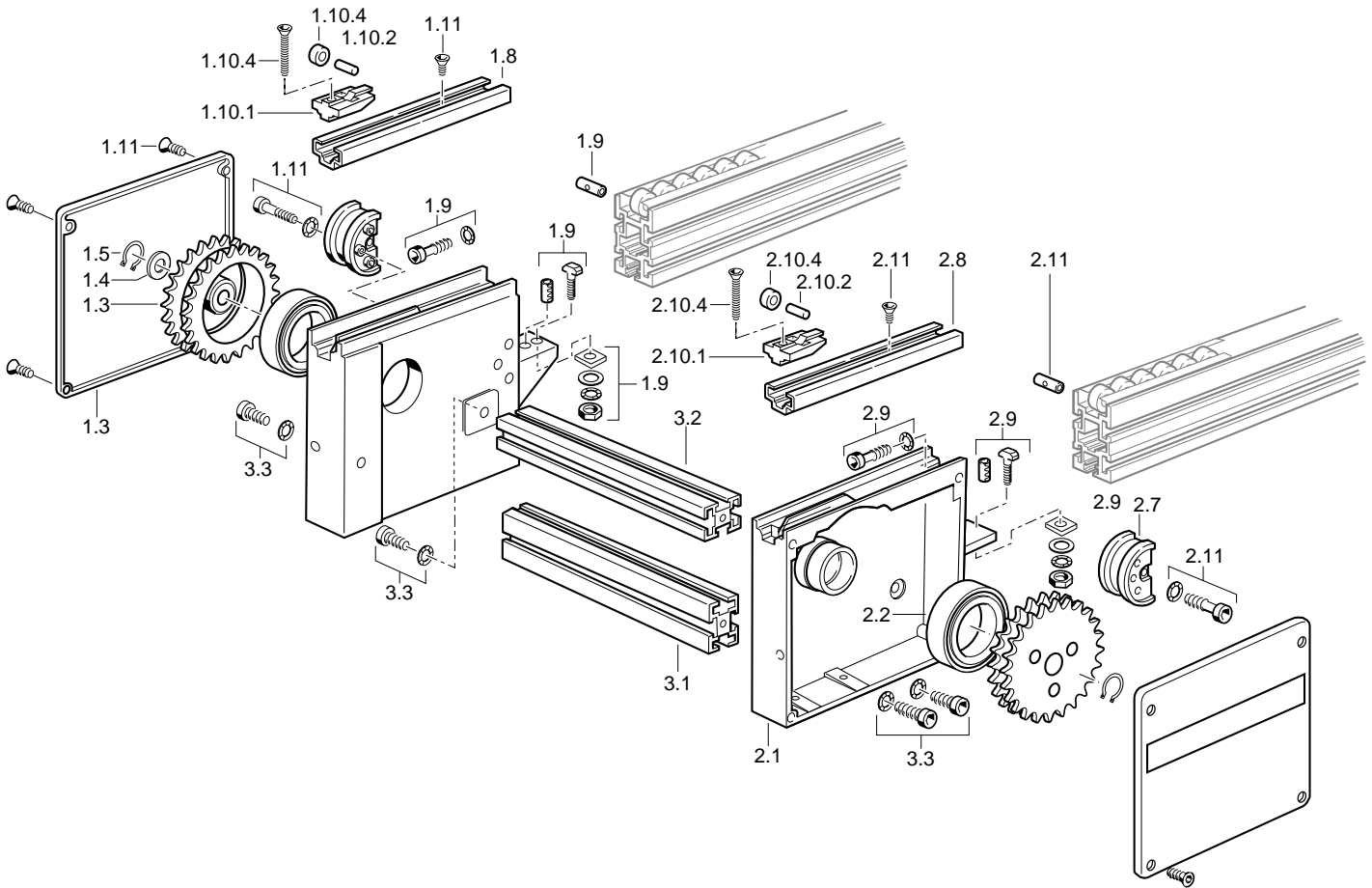




Customer Application Notes:

Ref. #	S	Description	Qty.	Part Number	Recommended Stocking Qty.	Price
3		Gearbox and motor	1			
3.1	S	Drive motor	1			
		220/480, v = 9 m/min		8981 003 700		
		220/480, v = 12 m/min		8981 003 701		
		575		8981 012 455		
3.2		Drive motor mounting kit	1			
3.3	S	Gearbox	1			
		v = 9 m/min		3842 519 119		
		v = 12 m/min		3842 519 118		
3.4		Gearbox mounting kit	1	incl. w/gearbox		
3.5		Flange	1			
3.6		Flange mounting kit	1			
4		Strut profile, complete	1			
4.1	S	Strut profile, length = ...mm*	2	3842 990 002		
4.2		Strut profile mounting kit	1			
5		Hex shaft, complete	1			
5.1	S	Hex shaft, length = ...mm*	1	3842 992 747		
5.2	S	Cover tube, length = ...mm*	1	3842 992 039		
6	S	Chain tensioner	2	3842 184 780		
6.1	S	Chain guide block	2	3842 218 717		
6.2		Shaft	1			
6.3		Retaining ring	1			
6.4		Pressure spring support washer	2			
6.5	S	Pressure spring	1	3842 500 106		
6.6		Threaded sleeve	1			
6.7		Hex nut	1			
6.8		Threaded shaft	1			
6.9		Angle bracket	1			
6.10	S	Guide rail	1	3842 218 720		
6.11		Roller spacers	2			
6.12		Upper guide	1			
6.13		Bracket	1			
6.14		Tensioner guard	1			
6.14.1		Cover	2			
6.14.2		Housing	1			
6.14.3		Tensioner guard mounting kit	1			
6.15		Chain tensioner mounting kit				
* Please include length and motor position when ordering.						







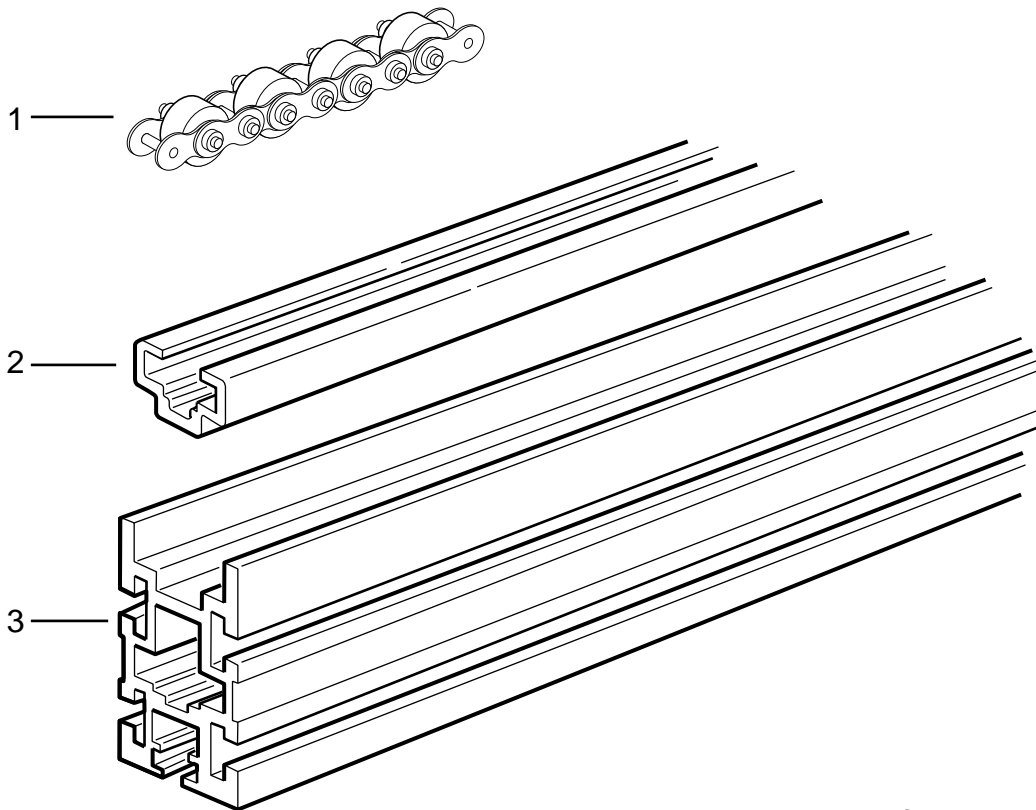
Customer Application Notes:

Ref. #	S	Description	Qty.	Part Number	Recommended Stocking Qty.	Price
1		Side part, right, complete	1			
1.1	S	Side part, right	1	3842 218 714		
1.2	S	Grooved ball bearing	1	1900 905 178		
1.3	S	Sprocket	1	3842 218 716		
1.4		Lock ring	1			
1.5		Cover	1			
1.6		Dirt channel, right	1			
1.7	S	Return block	1	3842 218 717		
1.8	S	Chain guide profile	1	3842 266 229		
1.9		UM 4 to ST 4 mounting kit	1			
1.10	S	Chain feed guard with roller	1	3842 338 249		
1.10.1		Chain feed guard	1			
1.10.2		Axle pin	1			
1.10.3		Roller	1			
1.10.4		Flat-head screw	1			
1.11		UM 4 mounting kit	1			
2		Side part, left, complete	1			
2.1	S	Side part, left	1	3842 218 713		
2.2	S	Grooved ball bearing	1	1900 905 178		
2.3	S	Sprocket	1	3842 218 716		
2.4		Lock ring	1			
2.5		Cover	1			
2.6		Dirt channel, left	1			
2.7	S	Return block	1	3842 218 717		
2.8	S	Chain guide profile	1	3842 266 229		
2.9		UM 4 to ST 4 mounting kit	1			
2.10	S	Chain feed guard with roller	1	3842 338 249		
2.10.1		Chain feed guard	1			
2.10.2		Axle pin	1			
2.10.3		Roller	1			
2.10.4		Flat-head screw	1			
2.11		UM 4 mounting kit	1			
3		Strut profile, complete	1			
3.1	S	Strut profile, length = ...mm*	2	3842 990 002		
3.2		Strut profile mounting kit	1			
* Please include length when ordering.						





ST 4 Chain Profile Section 3842 992 620/621/640



ST 4



